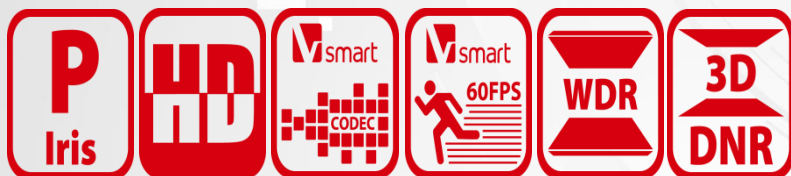


## DS-2CD4026FWD-(A)(P) 2MP Low Light Smart Camera

**DARKFIGHTER**



The Darkfighter series ultra-low light Smart cameras are able to capture high quality colored images in dim light environment. DS-2CD4026FWD offers Full HD resolution with up to 60fps high frame rate, 120dB WDR, Auto Back Focus, P-Iris, PoE, Defog, 3D DNR and complete Smart Feature-set to meet a wide variety of applications.

### smart IPC

DS-2CD4026FWD-(A)(P) is Hikvision Smart IPC and features complete Smart functions including:

#### **Smart Detection**

Intrusion Detection, Line Crossing Detection, Object Left/Removal, Area Entering/Leaving, Scene Change Detection, Audio Surge Detection, Audio Loss Detection, Defocus Detection, Face Detection, Object Counting, etc.

#### **Smart Codec**

Smart Recording with dual-VCA, Low Bitrate, Low Latency, ROI enhancement, Multi-stream, Rotate Mode, Edge Recording, etc.

#### **Smart Image Control**

Smart Auto Focus with ABF (-A)

- 1/1.8" Progressive Scan CMOS
- Full HD1080p video
- Up to 60fps frame rate
- Ultra-low light
- Slow shutter
- 120dB WDR
- 3D DNR
- -A: Auto Back Focus
- -P: P-Iris
- Audio/Alarm IO
- Support 128G on-board storage
- DC12V/AC24V/PoE



## Key Features

### Smart

- 6 behavior analysis, 4 exception detections, 1 recognition, 1 statistic function.
- Smart recording: Support edge recording and dual-VCA.
- Smart encoding: Support low bit rate; low latency; ROI enhance encoding
- Smart lens options: ABF (-A), P-iris(-P).

### Image

- HD 1920 × 1080@60fps
- Support rotate mode, suitable for environment as corridor.
- Support regional cropping, details can be seen with low bandwidth.
- Code smoothness setting for different requirements of image quality and fluency.
- Support H.264/MJPEG/MPEG4 video compression, multi-level video quality configuration; support Basic/Main/High Profile H.264 encoding complexity.
- Multiple OSD color: Black & white self-adaptive; Custom
- 120dB WDR is supportable for backlight environment.
- Support defog, BLC, EIS.

### System

- Support ONVIF (profile S/profile G), CGI, PSIA, ISAPI protocol.
- Support three streams, and Support 20 channels live view at the same time.
- Anti-thunder, anti-surge, anti-static protection level.

### Interface

- Support standard 128G Micro SD/SDHC/SDXC card storage.
- Support 10M/100M Ethernet Port.
- Support Audio I/O, support dual channel stereo audio.
- Support Alarm I/O
- Support CVBS analog output (4CIF resolution)

### Security

- Support three-level user authentication management, user and password authorization, IP address filtering and anonymous access.
- Support security certificate as HTTPS, SSH; support creating certificate.
- Basic and digest authentication is supportable in IE configuration
- Lock user IP for many times error login

# DS-2CD4026FWD-(A)(P) 2MP Low Light Smart Camera

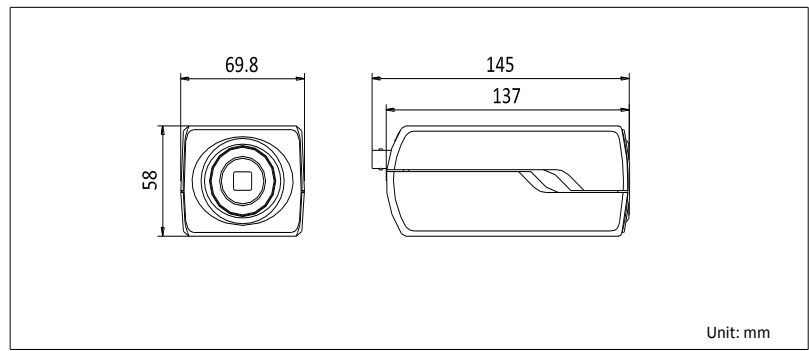
**DARKFIGHTER**



## Specification

| <b>Camera</b>               |                                                                                                                                       |
|-----------------------------|---------------------------------------------------------------------------------------------------------------------------------------|
| Image Sensor                | 1/1.8" Progressive Scan CMOS                                                                                                          |
| Min. Illumination           | Color: 0.002 Lux @ (F1.2, AGC ON), B/W: 0.0002 Lux @ (F1.2, AGC ON)                                                                   |
| Shutter Speed               | 1s ~ 1/100,000s                                                                                                                       |
| Slow Shutter                | Support                                                                                                                               |
| Lens Mount                  | C/CS mount                                                                                                                            |
| Auto-iris                   | DC drive(-P: support P-Iris)                                                                                                          |
| Day & Night                 | IR Cut Filter                                                                                                                         |
| WDR                         | 120dB                                                                                                                                 |
| Focus                       | -A: support ABF                                                                                                                       |
| <b>Compression Standard</b> |                                                                                                                                       |
| Video Compression           | H.264/MPEG4/MJPEG                                                                                                                     |
| H.264 Type                  | Baseline Profile / Main Profile / High Profile                                                                                        |
| Video Bit Rate              | 32 Kbps – 16 Mbps                                                                                                                     |
| Audio Compression           | G.711/G.722.1/G.726/MP2L2                                                                                                             |
| Audio Bit Rate              | 64Kbps(G.711) / 16Kbps(G.722.1) / 16Kbps(G.726) / 32-128Kbps(MP2L2)                                                                   |
| <b>Image</b>                |                                                                                                                                       |
| Max. Resolution             | 1920 × 1080                                                                                                                           |
| Frame Rate                  | 50Hz: 50fps(1920 × 1080, 1280 × 960, 1280 × 720)<br>60Hz: 60fps (1920 × 1080, 1280 × 960, 1280 × 720)                                 |
| Third Stream                | Independent with Main Stream and Sub Stream, up to<br>50Hz: 25fps(1920 × 1080); 60Hz: 30fps (1920 × 1080)                             |
| Image Enhancement           | BLC/3D DNR/ROI/Defog/EIS                                                                                                              |
| Image Setting               | Rotate Mode, Saturation, Brightness, Contrast, Sharpness adjustable by client software or web browser                                 |
| Regional Cropping           | Support                                                                                                                               |
| Day/Night Switch            | Auto/Schedule/Triggered by Alarm In                                                                                                   |
| Picture Overlay             | LOGO picture can be overlaid on video with 128x128 24bit bmp format                                                                   |
| <b>Network</b>              |                                                                                                                                       |
| Network Storage             | NAS (Support NFS,SMB/CIFS), ANR                                                                                                       |
| Alarm Trigger               | Motion detection, Tampering alarm, Network disconnect, IP address conflict, Storage exception                                         |
| Protocols                   | TCP/IP, UDP, ICMP, HTTP, HTTPS, FTP, DHCP, DNS, DDNS, RTP, RTSP, RTCP, PPPoE, NTP, UPnP, SMTP, SNMP, IGMP, 802.1X, QoS, IPv6, Bonjour |
| Security                    | User Authentication, Watermark, IP address filtering, Anonymous access                                                                |
| Standard                    | ONVIF(PROFILE S,PROFILE G),PSIA,CGI,ISAPI                                                                                             |
| <b>Interface</b>            |                                                                                                                                       |
| Audio                       | 1-ch 3.5 mm audio in( Mic in/Line in)/out interface, 1 build-in Microphone                                                            |
| Communication Interface     | 1 RJ45 10M/100M Ethernet port, 1 RS-485 interface and 1 RS-232 interface                                                              |
| Alarm                       | 1 input, 1 output (up to DC24V 1A or AC110V 500mA )                                                                                   |
| Video Output                | 1Vp-p composite output (75 Ω/BNC)                                                                                                     |
| On-board storage            | Built-in Micro SD/SDHC/SDXC slot, up to 128 GB                                                                                        |
| Reset Button                | Yes                                                                                                                                   |

## Dimensions



### Audio

|                             |                                  |
|-----------------------------|----------------------------------|
| Environment Noise Filtering | Support                          |
| Audio I/O                   | Support dual audio track, stereo |
| Audio Sampling Rate         | 16kHz / 32kHz / 44.1kHz / 48kHz  |

### Smart Feature-set

|                         |                                                                                                                   |
|-------------------------|-------------------------------------------------------------------------------------------------------------------|
| Behavior Analysis       | Line crossing detection, Intrusion detection, Region entrance, Region exiting, Unattended baggage, Object removal |
| Line Crossing Detection | Cross a pre-defined virtual line                                                                                  |
| Intrusion Detection     | Enter and loiter in a pre-defined virtual region                                                                  |
| Region Entrance         | Enter a pre-defined virtual region from the outside place                                                         |
| Region Exiting          | Exit from a pre-defined virtual region                                                                            |
| Unattended Baggage      | Objects left over in the pre-defined region such as the baggage, purse, dangerous materials                       |
| Object Removal          | Objects removed from the pre-defined region, such as the exhibits on display.                                     |
| Exception Detections    | Scene change detection, Sudden audio increase/decrease detection, Audio loss detection, Defocus detection         |
| Recognition             | Face detection recognition                                                                                        |
| Statistics              | Object Counting (Entrance and Exit object number is accounted and showed on screen in real time)                  |

### General

|                      |                                                                         |
|----------------------|-------------------------------------------------------------------------|
| Operating Conditions | -30 °C – 60 °C (-22 °F – 140 °F), Humidity 95% or less (non-condensing) |
| Power Supply         | 24 V AC ± 10%, 12 V DC ± 10%, PoE (802.3af)                             |
| Power Consumption    | Max. 6 W (Max. 9W with IR cut filter on)                                |
| Dimensions           | 69.8×58×145 mm (2.75" × 2.28" × 5.71")                                  |
| Weight               | 830 g (1.83 lbs)                                                        |

### Order Models

Lens no included models: DS-2CD4026FWD, DS-2CD4026FWD-A, DS-2CD4026FWD-AP  
 Vari-focal DC Iris lens included: DS-2CD4026FWD-A(3816mm), DS-2CD4026FWD-A(1140mm)  
 Vari-focal P-Iris lens included: DS-2CD4026FWD-AP(3816mm), DS-2CD4026FWD-AP(1140mm)

## Accessories



HV3816D-8MPIR

3.8~16mm DC Iris Lens

HV3816P-8MPIR

3.8~16mm P-Iris Lens



HV1140D-8MPIR

11~40mm DC Iris Lens

HV1140P-8MPIR

11~40mm P-Iris Lens



DS-1293ZJ

Long Arm Wall Mount



DS-1292ZJ

Short Arm Wall Mount



DS-1322HZ-C/H/CW/HW

Outdoor Housing



DS-1320HZ

Indoor Housing