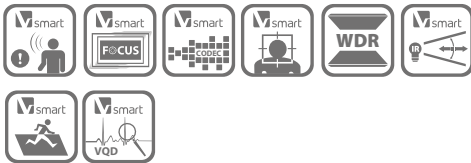


# DS-2CD4212FWD-I(Z)(S)(H)

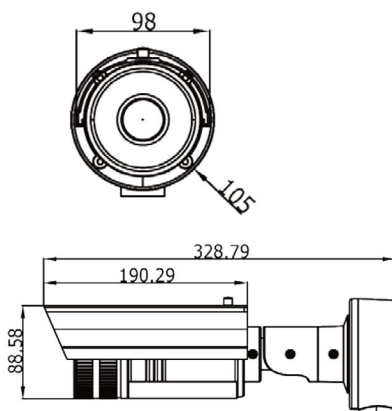
## 1.3MP WDR IR Bullet Network Camera



### Key features

- Up to 1280 x 960 high resolution
- Smart Codec
- 120dB WDR, 3D DNR
- Triple streams
- On-board storage, up to 64GB
- Smart Focus: Motorized VF lens (-Z)
- Smart VQD
- Smart Facial Detection
- Intrusion Detection
- Built-in heater
- Defog
- 8~32mm Motorized VF lens optional
- People Counting

### Dimensions



### Available models

DS-2CD4212FWD-I, DS-2CD4212FWD-IS  
 DS-2CD4212FWD-IZ, DS-2CD4212FWD-IZS  
 DS-2CD4212FWD-IZH, DS-2CD4212FWD-IZHS

- \* -Z: Motorized VF lens
- \* -S: 1-ch audio I/O,  
1-ch alarm I/O,  
1-ch RS-485 interface
- \* -H: Smart Heater

| DS-2CD4212FWD-I(Z)(S)(H)    |   |
|-----------------------------|---|
| <b>Camera</b>               |   |
| Image sensor                | 1/3" progressive scan CMOS  |
| Min. illumination           | 0.01 lux@F1.2, AGC on, 0.014 lux@F1.4, AGC on, 0 lux with IR  |
| Shutter time                | 1s ~ 1/100,000s   |
| Slow shutter                | Yes   |
| Lens                        | 2.8 ~ 12mm @F1.4, angle of view: 98.4° ~ 30.2° (-Z & non-Z model) (-Z: motorized VF lens)<br>* 8~20mm @F1.6 lens (optional), angle of view: 35.5° ~ 14.7° (Option for non -Z model)<br>* 8~32mm @F1.4 lens, angle of view: 27.8° ~ 9.1° (option for -Z model) |
| Lens mount                  | Ø14   |
| Auto iris                   | DC drive  |
| Day & night                 | ICR (Auto/Schedule/Alarm Trigger)   |
| Digital noise reduction     | 3D DNR  |
| Wide dynamic range          | 120dB WDR   |
| <b>Compression standard</b> |   |
| Video compression           | H.264 / MPEG4 / MJPEG   |
| H.264 codec profile         | Baseline profile / main profile / high profile  |
| Video bit rate              | 32 Kbps ~ 16 Mbps   |
| Audio compression           | G.711 / G.722.1 / G.726 / MP2L2 *only for -S model  |
| Audio bit rate              | 64Kbps(G.711) / 16Kbps(G.722.1) / 16Kbps(G.726) / 32-128Kbps(MP2L2)   |
| <b>Image</b>                |   |
| Max. resolution             | 1280 x 960  |
| Frame rate                  | 50 Hz: 25fps (1280 x 960), 50fps (1280 x 720)<br>60 Hz: 30fps (1280 x 960), 60fps (1280 x 720)  |
| 3rd stream                  | Independent setting, up to:<br>50Hz: 25fps (1280 x 960), 60Hz: 30fps (1280 x 960)   |
| Image settings              | Rotate mode, saturation, brightness, contrast, grayscale adjustable through client software or web browser  |
| BLC                         | Yes, zone configurable  |
| Defog                       | Yes   |
| EIS                         | Yes   |
| Picture overlay             | 128 x 128, BMP 24bit, zone configurable   |
| ROI                         | Support   |
| <b>Network</b>              |   |
| Network storage             | NAS (Support NFS, SMB/CIFS)   |
| Alarm trigger               | Intrusion detection, Defocus detection, Motion detection, Face detection,, line crossing detection Dynamic analysis, Tampering alarm, Network disconnect, IP address conflict, Storage exception  |
| Protocols                   | TCP/IP, ICMP, HTTP, HTTPS, FTP, DHCP, DNS, DDNS, RTP, RTSP, RTCP, PPPoE, NTP, UPnP, SMTP, SNMP, IGMP, 802.1X, QoS, IPv6, Bonjour  |
| Security                    | User authentication, watermark, IP address filtering, anonymous access, reset   |
| System compatibility        | ONVIF, PSIA, CGI, ISAPI   |
| On-board storage            | Micro SD/SDXC card slot, max. 64GB  |
| <b>Interface</b>            |   |
| Communication interface     | 1 RJ45 10M / 100M ethernet port   |
| On-board storage            | Built-in Micro SD/SDHC/SDXC slot, up to 64 GB   |
| Reset button                | Yes   |
| <b>General</b>              |   |
| Operating conditions        | -30°C ~ 60°C (-22°F ~ 140°F), humidity 95% or less (non-condensing)<br>-H: -40°C ~ 60°C (-40°F ~ 140°F), with smart heater on   |
| Power supply                | 12 VDC ± 10%, PoE (802.3af)   |
| Power consumption           | Max. 11W<br>-Z/-H: Max. 12W   |
| IR range                    | Up to 30m<br>Up to 80m with 8~20mm/8-32mm VF lens   |
| Ingress protection          | IP66  |
| Dimensions                  | 98 x 105 x 328.8 mm   |
| Weight                      | 1700 g (3.75 lbs)   |